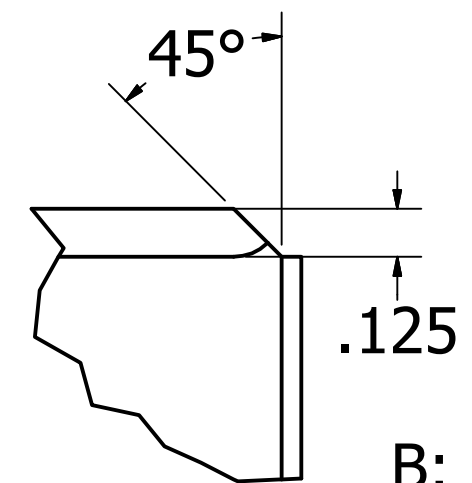
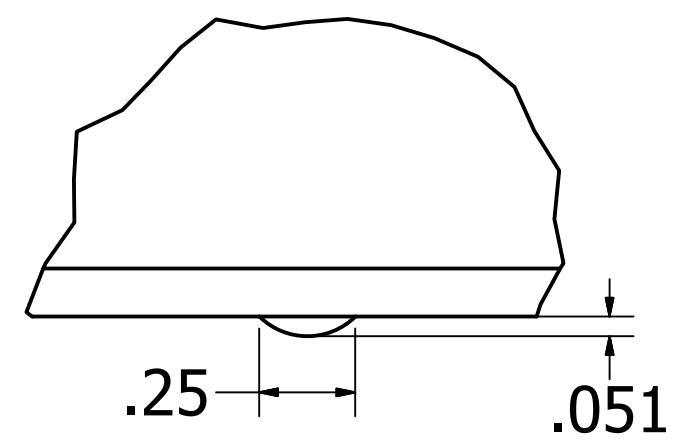
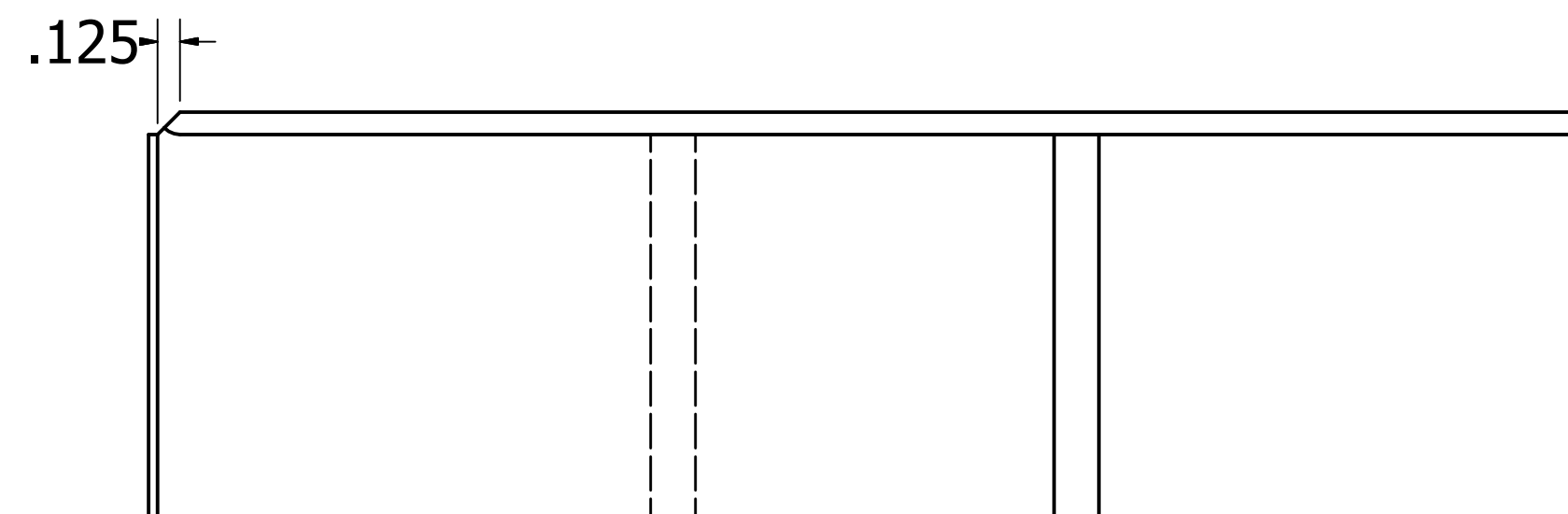
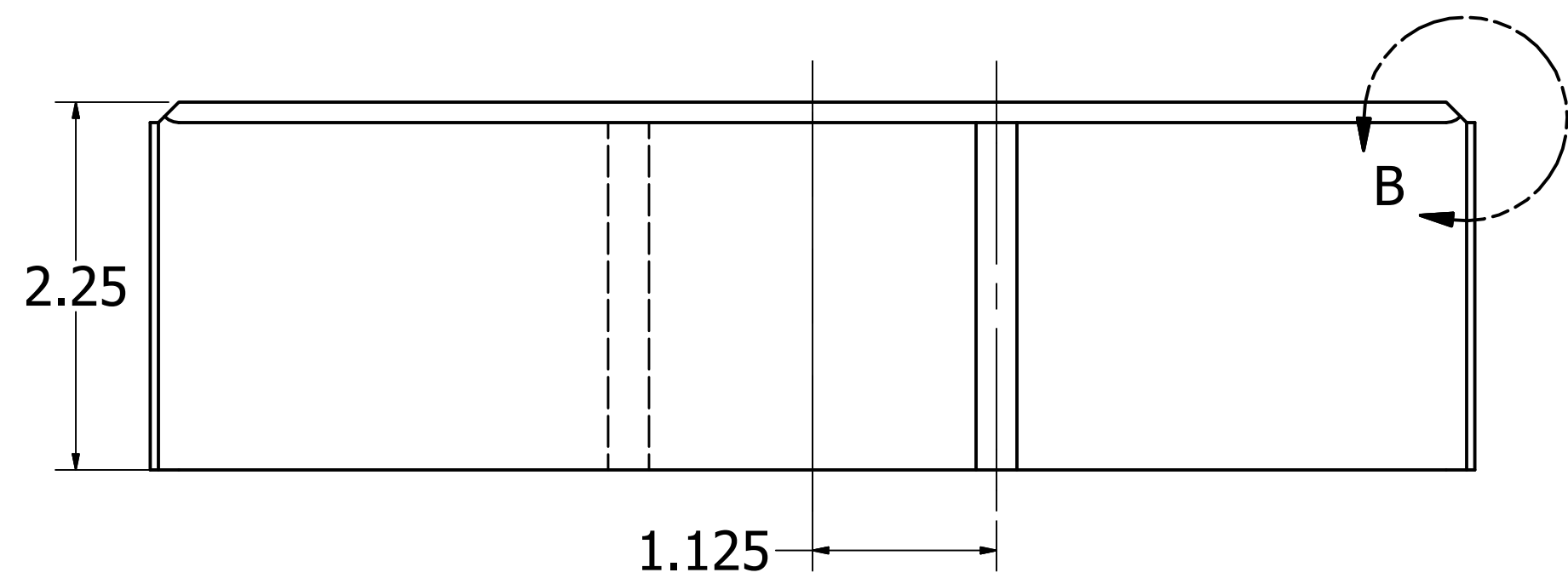


A: LUG PROFILE  
SCALE 2 : 1



B: CHAMFER DETAIL  
SCALE 2 : 1



DRAWN	M. Binius	5/22/17	Whitacre Greer Co.		
CHECKED			TITLE		
QA			8"x8"x2.25"		
MFG			SIZE	DWG NO	REV
APPROVED			D	8x8x2.25 DWG	
			SCALE	1 : 1	SHEET 1 OF 1